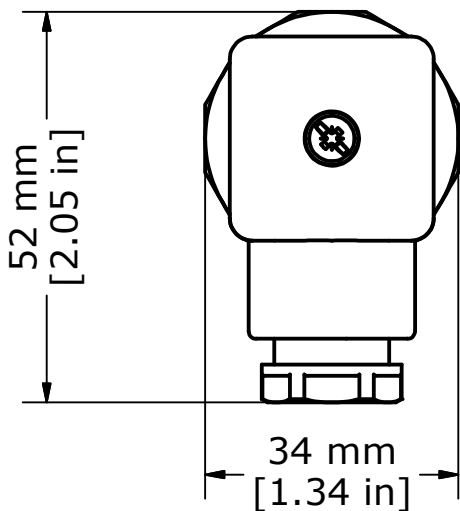
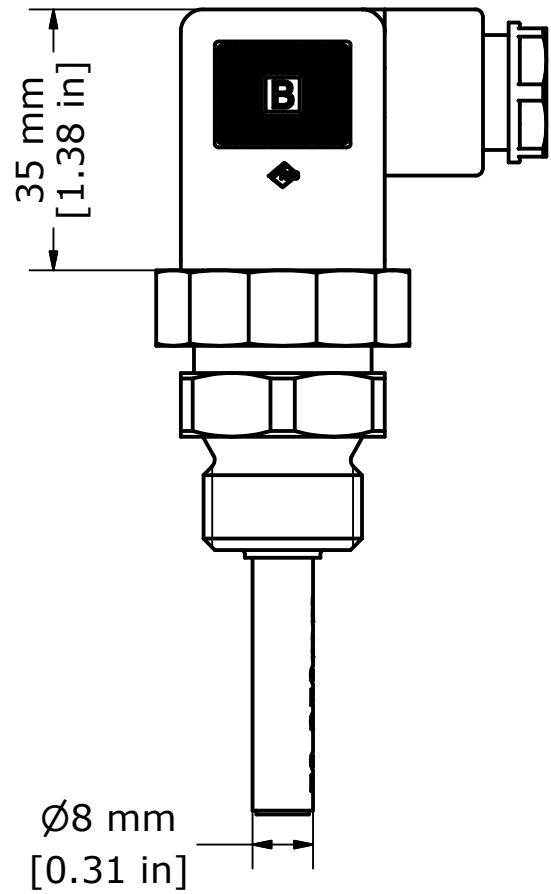
 27
 G 1/2A



A (mm/inch)	B (mm/inch)	C (mm/inch)
Sensor insertion length	Distance from sensor to wall	Total length
50/1.97	100/3.94	107/4.21
60/2.36	110/4.33	117/4.61
80/3.15	130/5.12	137/5.39
100/3.94	150/5.91	157/6.18
120/4.72	170/6.69	177/6.97
150/5.91	200/7.87	207/8.15
200/7.87	250/9.84	257/10.12
250/9.84	300/11.81	307/12.09
310/12.20	360/14.17	367/14.45
400/15.75	450/17.72	457/17.99
650/25.59	700/27.56	707/27.83

Danfoss
DIM084Z2060-00